

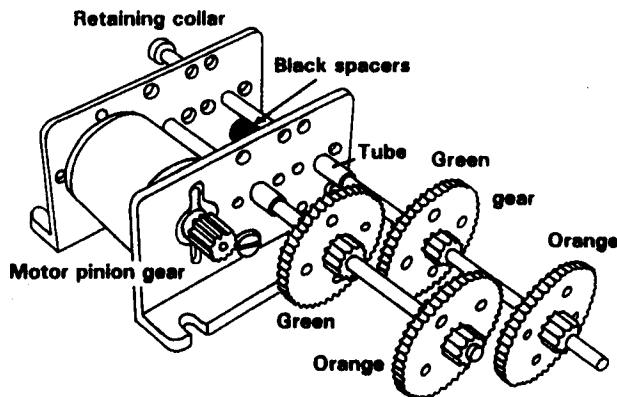
Gearboxes

Order code	Manufacturer code	Description
37-1210	n/a	MOTOR AND GEARBOX (KIT FORM)
37-1215	n/a	MOTOR AND GEARBOX (ASSEMBLED)

Gearboxes	Page 1 of 2
The enclosed information is believed to be correct, Information may change 'without notice' due to product improvement. Users should ensure that the product is suitable for their use. E. & O. E.	Revision A 04/07/2003

MULTI RATIO GEARBOX

- * PROVIDES 6 DIFFERENT RATIOS AND 12 SPEEDS.
- * RUGGED COMPACT DESIGN AND CONSTRUCTION.
- * IDEAL FOR MODELS, CDT AND R&D PROJECTS.



The unit operates on 1.5 - 3v (917D & 917D/A, D.C. power sources, either battery or suitable transformer. Its simple versatile design and sturdy construction make it suitable for a host of uses from powering models and robots to teaching the principles of mechanics. Current consumption depends on eventual load but is within the range 0.2 to 0.8n amps. The output shaft is 3mm diameter.

917D, MULTI RATIO GEARBOX (KIT FORM)
917D/A, MULTI RATIO GEARBOX (ASSEMBLED)

REDUCTION TABLE R.P.M.
(917D & 917D/A)

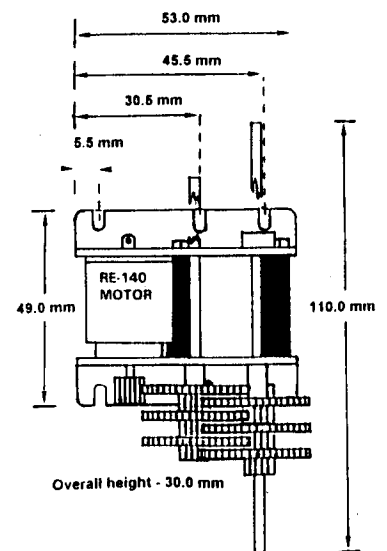
	1.5V	3.0V
4:1	1850	3700
18:1	462	925
64:1	115	231
256:1	29	57
1024:1	7	14
4096:1	2	4

Materials

Gearwheels:- Polypropylene

Gearbox frames:- Bagblend

GEARBOX DIMENSIONS.
(917D)



MOTOR DATA. (RE-140)

MODEL	VOLTAGE		NO LOAD		AT MAXIMUM EFFICIENCY						STALL TORQUE	
	OPERATING RANGE	NOMINAL	SPEED	CURRENT	SPEED	CURRENT	TORQUE		OUTPUT	EFF	TORQUE	
			R.P.M.	A	R.P.M.	A	oz - in	g - cm	W	%	oz - in	g - cm
RE - 140	1.5 - 3.0	3.0v CONSTANT	14800	0.300	11500	1.06	0.152	10.92	1.29	41.03	0.68	49.0